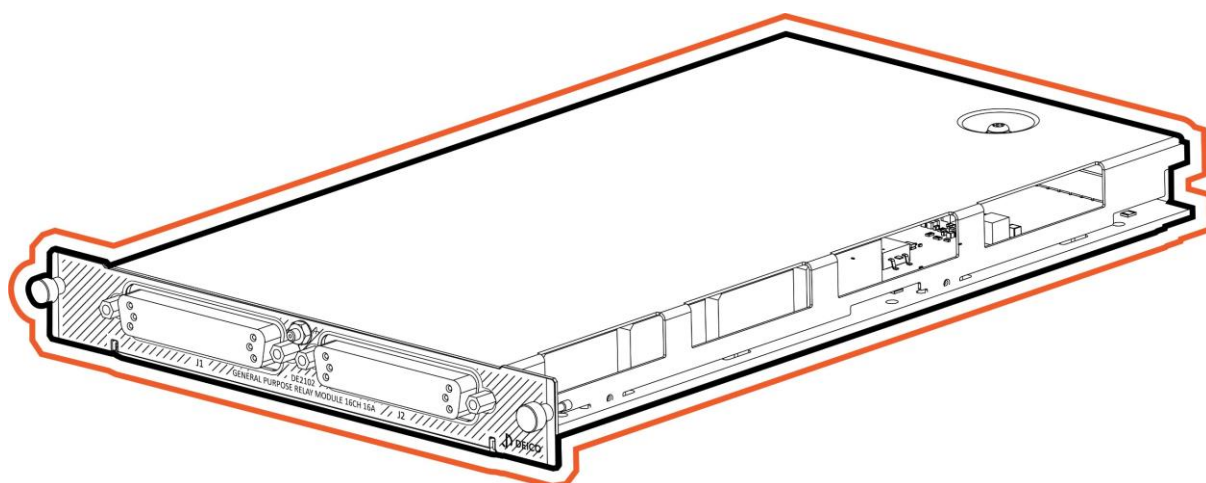


DE2102 DATASHEET

GENERAL PURPOSE RELAY MODULE 16CH 16A



Contents

DESCRIPTION.....	1
Key Features.....	1
HARDWARE OVERVIEW	1
Circuitry.....	1
Hardware Specifications	2
Electrical.....	2
Physical.....	2
Environmental.....	2
SOFTWARE OVERVIEW.....	2
SIGNAL CONNECTIONS.....	2
SAFETY GUIDELINES	4
COMPATIBILITY GUIDELINES.....	4
SUPPORTING PRODUCTS & SOFTWARE.....	4

DESCRIPTION

General Purpose Relay Module 16Ch 16A is a high-power general-purpose switch module. Module can be used with LXI Switching and DAQ Mainframe 8 Slot and LXI Single Module Mainframe.

The general features of General Purpose Relay Module 16Ch 16A are listed below:

Key Features

- ⇒ 16 Form A channels
- ⇒ 16A switching capability

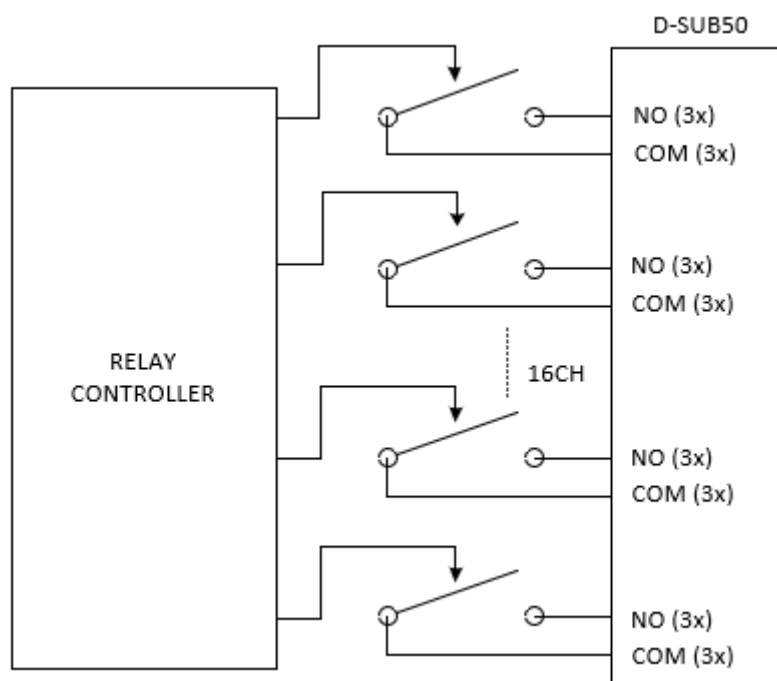
DE2102 is compatible with IEC 60068-2-1 / IEC 60068-2-2 / IEC 60068-2-78 / IEC 60068-2-27 / IEC 60068-2-64 / EN 61326 (IEC 61326) / EN 55011 (CISPR 11) / AS/NZS CISPR 11 / FCC 47 CFR Part 15B / ICES-001 standards.

Areas of application include:

- ⇒ LAB Usage
- ⇒ Signal Routing
- ⇒ Automated Test Equipment

HARDWARE OVERVIEW

Circuitry



Module Circuit Diagram

Hardware Specifications

Electrical

Specification	Min	Typical	Max
Channel Voltage	-	-	440VAC, 300VDC
Channel Current	-	-	16A
Switch Operate Time	-	-	15ms
Switch Release Time	-	-	5ms
Contact Resistance	-	-	100mΩ

Physical

Specification	Description
Dimensions (L/W)	281.5mm x 180.1mm
Height (H)	25.7mm
Front Panel Connectors (x2)	HARTING DSUB50 PN: 09665526613

Environmental

Specification	Condition	Value
Operating Humidity	Relative, non-condensing	10% - 90%
Storage Humidity	Relative, non-condensing	5% - 95%
Operating Temperature	Forced-air cooling from chassis	0°C - 55°C
Storage Temperature	-	-40°C - 71°C

SOFTWARE OVERVIEW

This module is compatible with IVISwch class.

SIGNAL CONNECTIONS

Front Panel Connectors Pinout

J1 Pin	J1 Pin Description	J2 Pin	J2 Pin Description
1	RLY1_COM	1	RLY9_COM
2		2	
18		18	
3	RLY2_COM	3	RLY10_COM
4		4	
20		20	
5	RLY3_COM	5	RLY11_COM
6		6	
22		22	
7	RLY4_COM	7	RLY12_COM

8		8	
24		24	
9	RLY5_COM	9	RLY13_COM
10		10	
26		26	
11		11	
12	RLY6_COM	12	RLY14_COM
28		28	
13	RLY7_COM	13	RLY15_COM
14		14	
30		30	
15		15	
16	RLY8_COM	16	RLY16_COM
32		32	
19	RLY1_NO	19	RLY9_NO
35		35	
36		36	
21		21	
37	RLY2_NO	37	RLY10_NO
38		38	
23	RLY3_NO	23	RLY11_NO
39		39	
40		40	
25		25	
41	RLY4_NO	41	RLY12_NO
42		42	
27	RLY5_NO	27	RLY13_NO
43		43	
44		44	
29		29	
45	RLY6_NO	45	RLY14_NO
46		46	
31	RLY7_NO	31	RLY15_NO
47		47	
48		48	
33		33	
49	RLY8_NO	49	RLY16_NO
50		50	
17	NC	17	NC
34		34	

SAFETY GUIDELINES



Caution Do not operate the DE2102 in a manner not specified in this document. Product misuse can result in a hazard. You can compromise the safety protection built into the product if the product is damaged in any way. If the product is damaged, return it for repair.

COMPATIBILITY GUIDELINES

This product was tested and complies with the regulatory requirements and limits for electromagnetic compatibility (EMC). These requirements and limits provide reasonable protection against harmful interference when the product is operated in the intended operational electromagnetic environment.

This product is intended for use in industrial locations. However, harmful interference may occur in some installations, if the product is connected to a peripheral device or test object, or if the product is used in residential or commercial areas. To minimize interference with radio and television reception and prevent unacceptable performance degradation, install and use this product in strict accordance with the instructions specified in the product documentation.

Furthermore, any changes or modifications to the product not expressly approved by DEICO could void your authority to operate it under your local regulatory rules.



Caution To ensure the specified EMC performance, operate this product only with shielded cables and accessories.

Caution To ensure the specified EMC performance, the length of any cable attached to front connectors must not be longer than 3 m (10 ft.)

SUPPORTING PRODUCTS & SOFTWARE

DE2102 must be used with DE2000 – LXI Switching and DAQ Mainframe 8 Slot or DE2001 – LXI Single Module Mainframe.



Caution Do not operate DE2102 without DE2000 or DE2001. Do not try to connect anything to the rear panel connector.



Contact

DEICO Head Office

Teknopark Ankara, Serhat Mah.,
2224 Cad., No:1 F Blok, Z-12,
Yenimahalle, Ankara, Türkiye

support@deico.com.tr

+90 312 395 68 44



www.deico.com.tr

